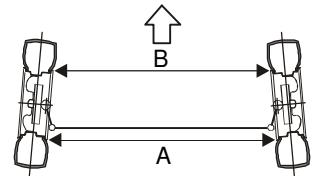


Optimo wheel-alignment

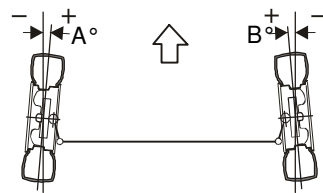
Laser Tracking Gauge

1004 & 1004T

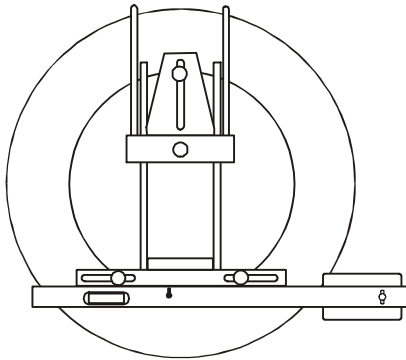
For cars and vans with 10" - 19" wheels



Toe measurement in mm



Toe measurement in degrees



Twin beam laser heads.
Wheel hangers with 3-point rim support.
Direct measuring without run-out compensation.
Battery operated – no cables.



OPTIMO
MASKINFABRIK

Optimo Maskinfabrik • Øresundsvej 150 • DK-2300 Copenhagen S • Denmark
Phone: +45 3297 2365 • Fax: +45 3297 4879 • Web: www.optimo.dk • E-mail: Frank@optimo.dk

Optimo tracking gauge 1004 & 1004T, specifications:

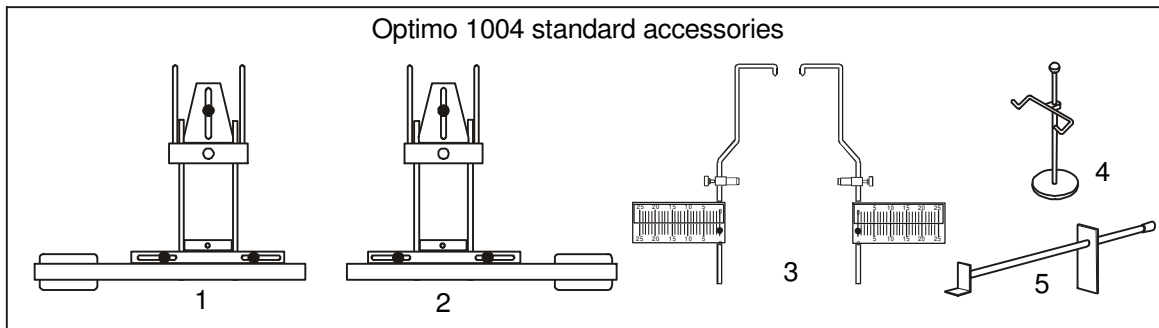
Lasers: Class II, max 0.9-mil watt.

Power supply: 4 batteries 1.5 V, size AA in each head. Function more than 100 hours.

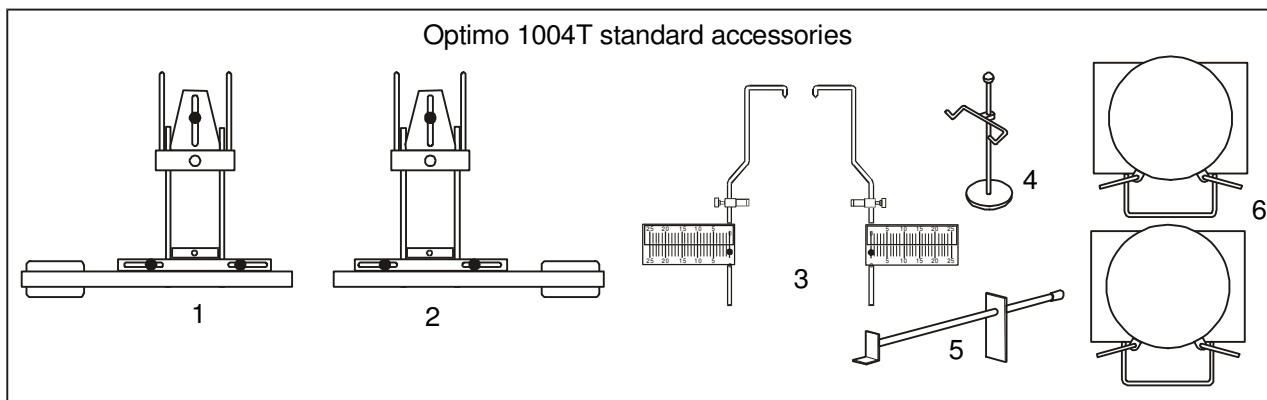
Measuring range: Front toe: -15 to +30 mm and -2° to $+4^{\circ}$

Rear toe: -30 to +15 mm and -4° to $+2^{\circ}$

Front wheel set-back: 0 to 50 mm



1. Left head with wheel hanger. 2. Right head with wheel hanger. 3. Centre line scales. 4. Steering wheel holder. 5. Brake pedal depressor



1. Left head with wheel hanger. 2. Right head with wheel hanger. 3. Centre line scales. 4. Steering wheel holder
5. Brake pedal depressor 6. Ball bearing turntables, maximum axle load 2500 kg.

Optional extras



New type steering wheel holder



Kit for Camber, Caster, KPI and toe-out on turns

